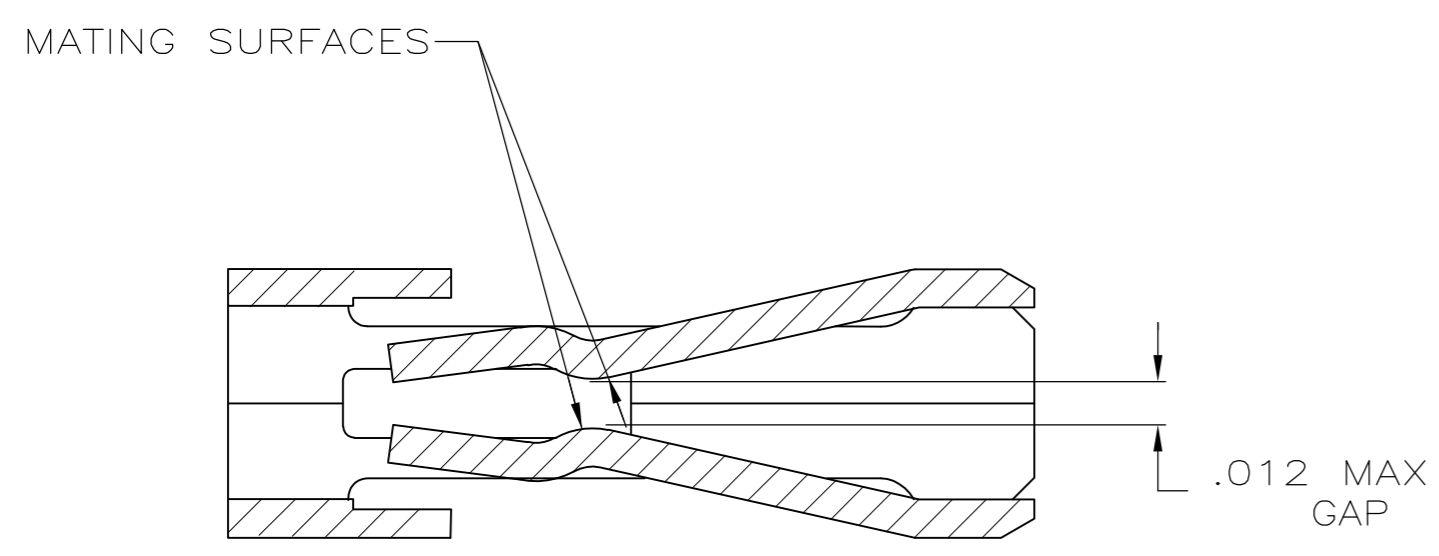
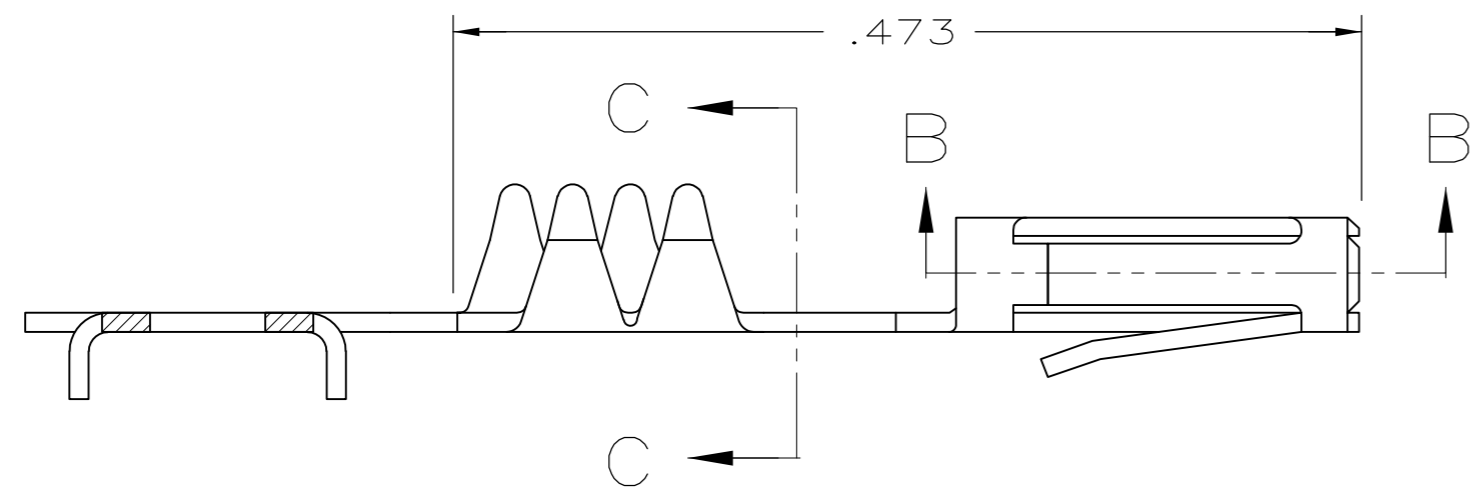
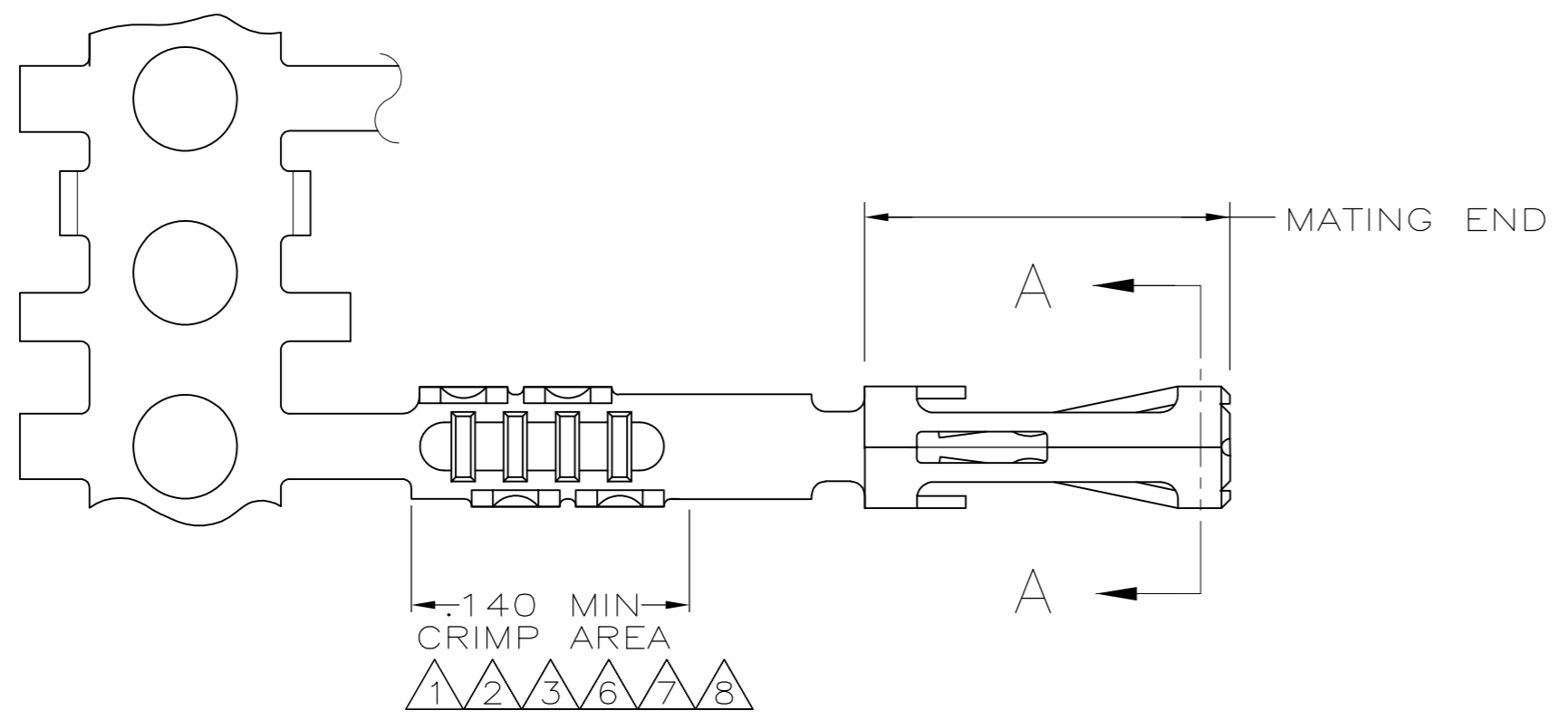
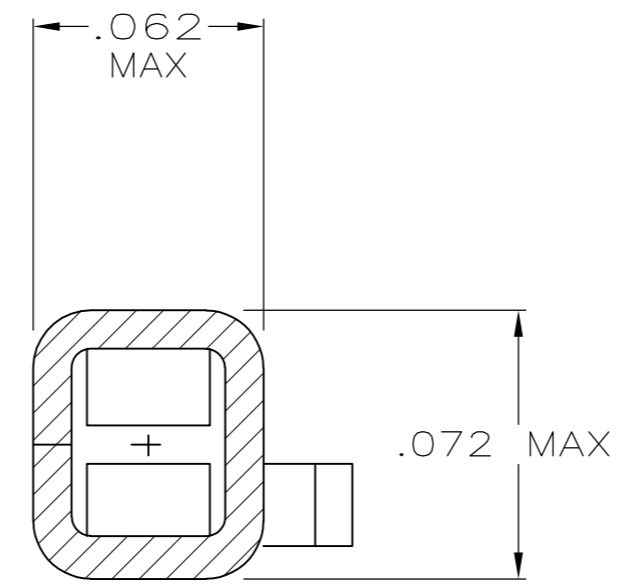


THIS DRAWING IS UNPUBLISHED. RELEASED FOR PUBLICATION  
 © COPYRIGHT - By - ALL RIGHTS RESERVED.

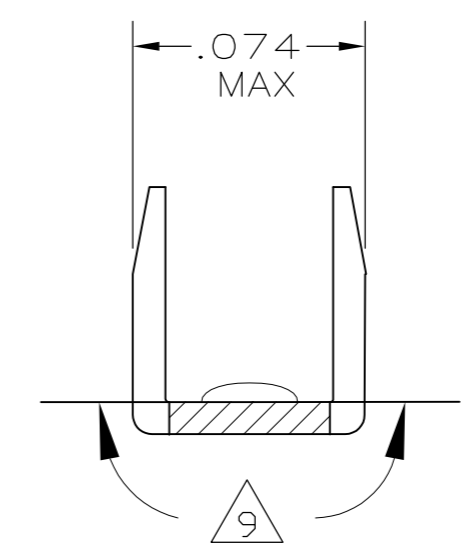
LOC		DIST		REVISIONS			
P	LTR	DESCRIPTION		DATE	DWN	APVD	
GP	00	P2		REVISED PER ECO-12-011709	11MAR11	RW	SY



SECTION B-B  
SCALE 20:1



SECTION A-A  
SCALE 20:1



SECTION C-C  
SCALE 20:1

- ① PREPLATED .000050 MIN THK NICKEL OVER ENTIRE CONTACT WITH .000015 MIN THK GOLD ON THE MATING SURFACES AND PLATED WITH .000100 MIN THK BRIGHT TIN/LEAD IN CRIMP AREA.
- ② PREPLATED .000050 MIN THK NICKEL OVER ENTIRE CONTACT WITH .000030 MIN THK GOLD ON THE MATING SURFACES AND PLATED WITH .000100 MIN THK BRIGHT TIN/LEAD IN CRIMP AREA.
- ③ PREPLATED .000050 MIN THK NICKEL OVER ENTIRE CONTACT WITH .000050 MIN THK GOLD ON THE MATING SURFACES AND PLATED WITH .000100 MIN THK BRIGHT TIN/LEAD IN CRIMP AREA.
- ④ .000100 MIN THK BRIGHT TIN/LEAD OVER .000050 MIN THK NICKEL OVER ENTIRE CONTACT.
- 5. MATING POST LENGTH ACCEPTED:  
SINGLE ROW HOUSINGS .210-.323  
DOUBLE ROW HOUSINGS .225-.323
- ⑥ GOLD FLASH IN CRIMP AREA, .000100 MIN TIN ON THE MATING END, BOTH OVER .000050 MIN NICKEL.
- ⑦ PREPLATED .000050 MIN THK NICKEL OVER ENTIRE CONTACT WITH .000015 MIN THK GOLD ON THE MATING SURFACES, AND PLATED WITH GOLD FLASH IN THE CRIMP AREA.
- ⑧ PREPLATED .000050 MIN THK NICKEL OVER ENTIRE CONTACT WITH .000030 MIN THK GOLD ON THE MATING SURFACES, AND PLATED WITH GOLD FLASH IN THE CRIMP AREA.
- ⑨ GOLD PLATING MAY OR MAY NOT BE PRESENT ON THE BOTTOM OF THE CRIMP BARREL IN THIS AREA.

⑨	⑧	1-487117-1
⑨	⑦	1-487117-0
⑨	⑥	487117-9
④	④	487117-8
③	③	487117-6
②	②	487117-5
①	①	487117-4
FINISH		PART NO

THIS DRAWING IS A CONTROLLED DOCUMENT.		DWN	G.A.MACK	8-30-83	TE Connectivity
DIMENSIONS: INCHES		CHK	D.DOLLYHIGH	8-31-83	
TOLERANCES UNLESS OTHERWISE SPECIFIED:		APVD			RECEPTACLE CONTACT, HIGH PRESSURE
0 PLC ± -		PRODUCT SPEC	108-9024		
1 PLC ± -		APPLICATION SPEC	114-16015		RESTRICTED TO
2 PLC ± -		WEIGHT	-		
3 PLC ± .005		SIZE	A2	CAGE CODE	00779
4 PLC ± -		DRAWING NO	C=487117	SCALE	10:1
ANGLES ± -		SHEET	1 of 1	REV	P2
FINISH SEE TABLE		CUSTOMER DRAWING			